



OPERATOR'S MANUAL

A Division of Snow Joe®, LLC

PRESSURE WASHER SKY LANCE

9 FT UNIVERSAL | 120° GUTTER ADAPTER | 30° ANGLED ADAPTER

Model SPX-SRL9-RM

Form No. SJ-SPX-SRL9-RM-880E-M-V1

THANKS FOR YOUR PURCHASE OF A REMANUFACTURED PRODUCT.

To make sure you get the most out of your product, be sure to register online at

sunjoe.com

to enjoy full product support.

PASTE UPC LABEL HERE



PRESSURE WASHER SKY LANCE

9 FT UNIVERSAL | 120° GUTTER ADAPTER | 30° ANGLED ADAPTER

OPERATOR'S MANUAL

A Division of Snow Joe®, LLC

Model SPX-SRL9-RM

Form No. SJ-SPX-SRL9-RM-880E-M-V1

IMPORTANT! Safety Instructions

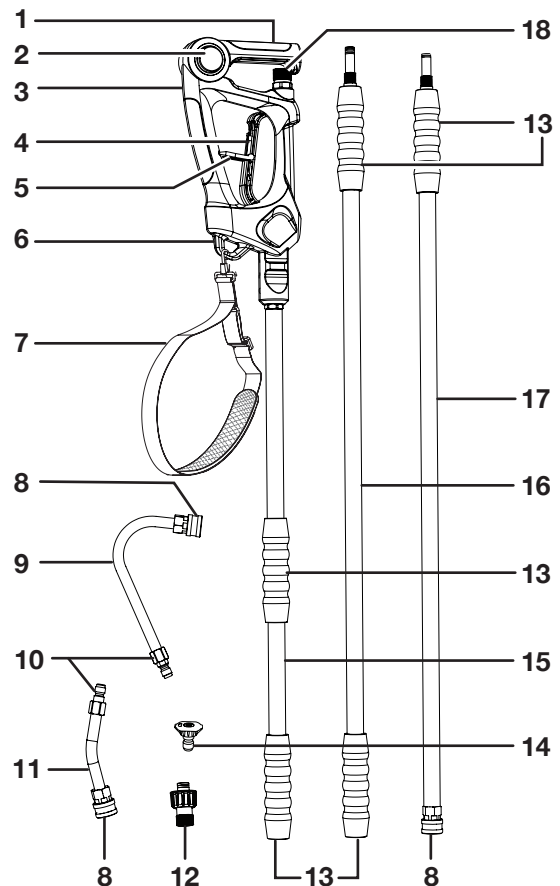
All Users Must Read These Instructions Before Use

To reduce the risk of injury, the user must read and understand this operator's manual as well as the operator's manual for their pressure washer before using this product. Failure to follow all warnings and precautions may result in death, serious personal injury, or property damage.

1. A nozzle tip must be used with this pressure washer sky lance. You may use the one included or any other standard pressure washer tip.
2. Keep at least 50 feet away from power lines. Do not touch or aim spray at electrical wiring of any kind.
3. Do not operate the sky lance, change nozzles or accessories while spraying or while the wand is under pressure. Turn off the pressure washer, shut off the water supply, point the nozzle in a safe direction, and pull the trigger to release water pressure before making any changes.
4. Do not use the sky lance while on a ladder or scaffolding.
5. When using the sky lance, make sure the high pressure hose is located so that it will not be stepped on, tripped over, or otherwise subjected to damage or stress. Keep the hose clear of the working area.
6. Do not exceed the maximum pressure, volume, or temperature listed in the product specifications.
7. Do not remove or alter any warning labels included on the sky lance.
8. Before operation, make sure the working area is clear of obstructions or hazards.
9. Maintain proper balance and control of the sky lance at all times.
10. To minimize the risk of kickback, grip the sky lance firmly with both hands. A firm grip together with a stiff arm will help you maintain control of the sky lance if kickback occurs.

Know Your Sky Lance

Read the owner's manual and safety rules carefully before operating the sky lance. Compare the illustration below to the unit in order to familiarize yourself with the location of the various controls and adjustments. Save this manual for future reference.



- | | |
|--------------------------|-----------------------------------|
| 1. Hose handle rest | 10. Quick-Connect tip |
| 2. Hose handle rest lock | 11. 30° angled adapter |
| 3. Trigger gun | 12. Hose adapter |
| 4. Trigger | 13. Soft grip |
| 5. Safety lock | 14. 25° Quick-Connect nozzle tip |
| 6. Support bracket | 15. Top extension lance |
| 7. Shoulder strap | 16. Middle extension lance |
| 8. Quick-Connect collar | 17. End extension lance |
| 9. 120° gutter adapter | 18. High-pressure hose connection |

Technical Data

Connections	M22 15 mm Male Inlet Quick-Connect Outlet Threaded Accessory Port
Compatible Pressure	1800 PSI – 4000 PSI
Max Water Flow	6 GPM
Max Water Temperature	140°F (60°C)
Shoulder Strap Length	6.2 ft (1.9 m)
Length	Partially Connected: 6 ft. (1.8 m) Fully Connected: 9 ft. (2.7 m)
Top Extension Lance	35.4 in (90 cm)
Middle Extension Lance	34.4 in (87.5 cm)
End Extension Lance	38.4 in (97.5 cm)
Adapter	M22 15 mm connection to M22 14 mm connection
Net Weight	6.4 lbs (2.9 kg)

Unpacking

Carton Contents

- Trigger gun with top extension lance
- Shoulder strap
- 120° gutter adapter
- 30° angled adapter
- 25° Quick-Connect nozzle tip
- Middle extension lance
- End extension lance
- Hose adapter
- Manual + registration card

1. Carefully remove the sky lance and check to see that all of the above items are supplied.
2. Inspect the product carefully to make sure no breakage or damage occurred during shipping. If you find damaged or missing parts, DO NOT return the unit to the store. Please call the Snow Joe® + Sun Joe® customer service center at 1-866-SNOWJOE (1-866-766-9563).

NOTE: Do not discard the shipping carton and packaging material until you are ready to use your new sky lance. The packaging is made of recyclable materials. Properly dispose of these materials in accordance with local regulations.

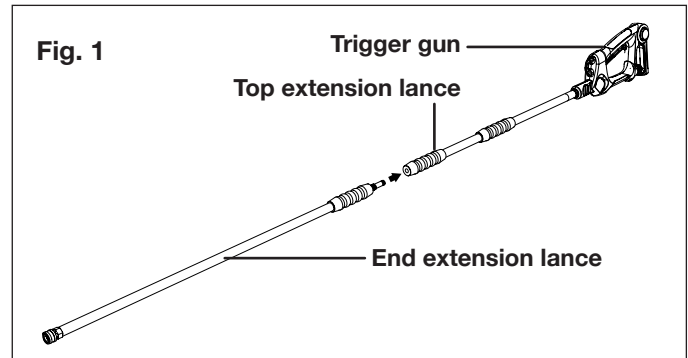
IMPORTANT! The equipment and packaging material are not toys. Do not let children play with plastic bags, foils, or small parts. These items can be swallowed and pose a suffocation risk!

Assembly

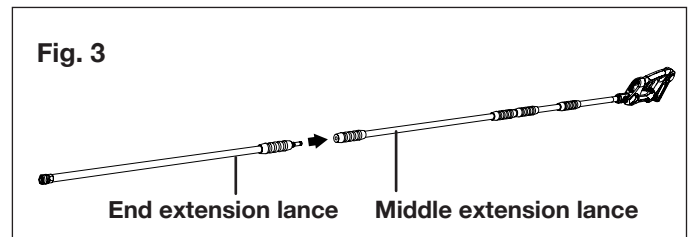
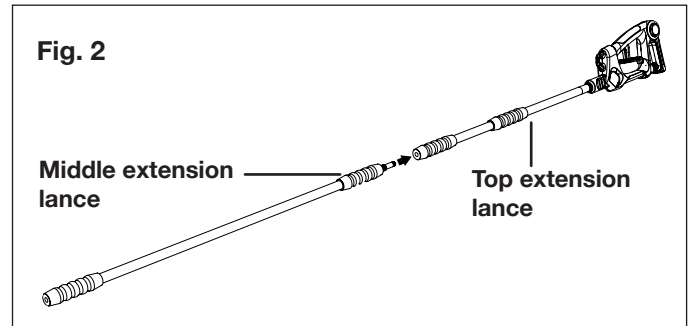
Connect the Lance

The sky lance can be used when partially connected or fully connected. Follow the instruction below to connect the extension lances.

1. The sky lance can be partially connected using only the top and the end extension lance. Insert the threaded end of the end extension lance into the opening of the top extension lance, and twist to secure (Fig. 1). A partially connected sky lance will provide a total of 6 ft (1.8 m) extension.



2. To fully connect the sky lance, insert the threaded end of the middle extension lance into the opening of the top extension lance and twist to secure (Fig. 2). Then connect the end extension lance to the middle extension lance and twist to secure (Fig. 3).



3. A fully connected sky lance will provide a total of 9 ft (2.7 m) extension.

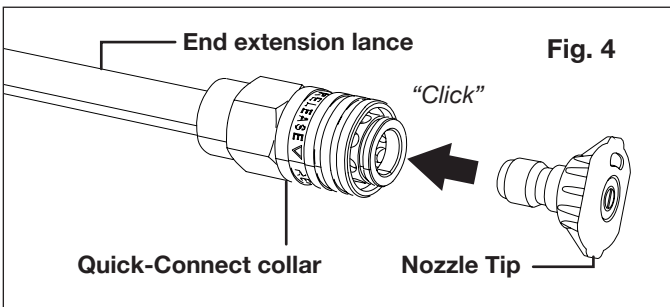
⚠ WARNING! Connect the lance only as much as necessary for the cleaning job. Remain in full control of the telescoping pole at all times. Loss of control of the sky lance could result in possible serious personal injury.

Connect the Nozzles/Adapters

NOTE: We've included one Quick-Connect nozzle to get you started but use any of your favorite Quick-Connect nozzle tips.

The end extension lance is featured with a standard Quick-Connect collar that can be connected with nozzles and adapters. Follow the instructions below to use compatible nozzles or adapters.

Snap the desired nozzle onto the Quick-Connect collar until it clicks into place (Fig. 4).



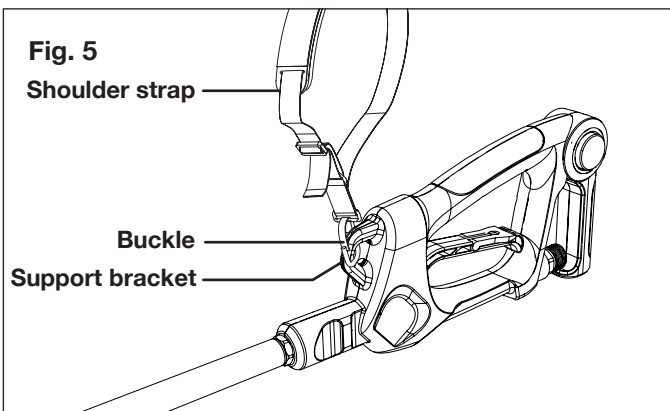
⚠ WARNING! Do not make changes to the nozzle while the trigger is engaged. Doing so could result in damage to the pressure washer or injury to the user.

The Quick-Connect collar can only be connected with nozzles or adapters that are also equipped with the standard Quick-Connect Tip, such as Sun Joe® Quick-Connect Spray Tip Set (SPX3000-TPS). Visit sunjoe.com or contact the Snow Joe® + Sun Joe® customer service center at 1-866-SNOWJOE (1-866-766-9563) to purchase this spray tip set.

Attach the Shoulder Strap

The sky lance comes with an adjustable shoulder strap. The shoulder strap should be installed and adjusted to a comfortable position before operating.

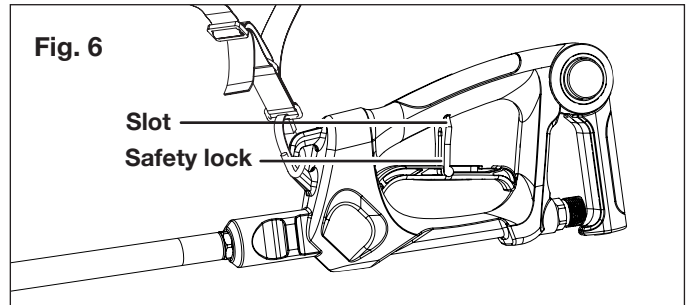
1. To attach the shoulder strap, attach the buckle of the shoulder strap to the support bracket as shown (Fig. 5).



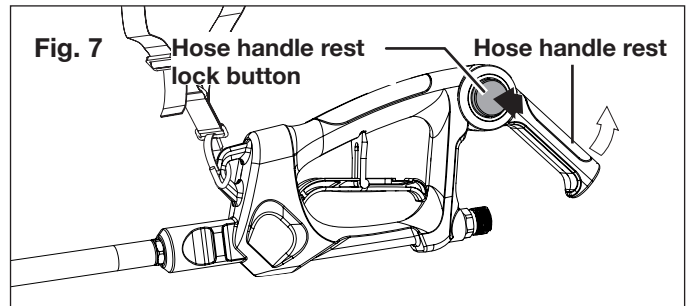
2. To tighten the shoulder strap, pull down on the loose end of the strap.

Connect with Pressure Washer

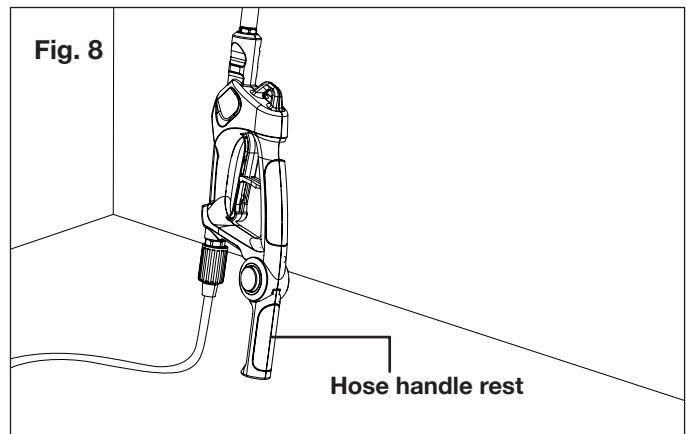
1. Shut off the pressure washer and the water supply.
2. Engage the safety lock on the trigger gun by pushing up on the safety lock until it clicks into the slot (Fig. 6).



3. Press the hose handle rest lock button, and rotate the hose handle rest to expose the high-pressure hose connection (Fig. 7).

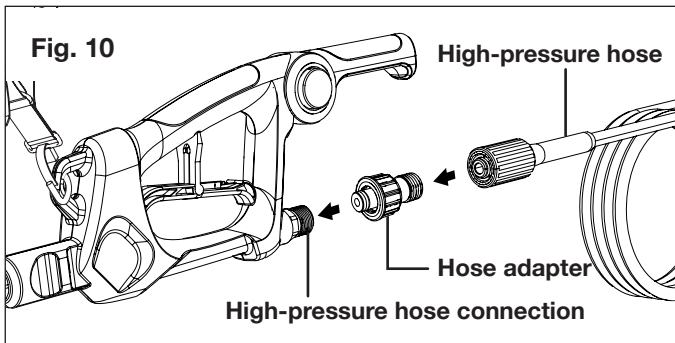
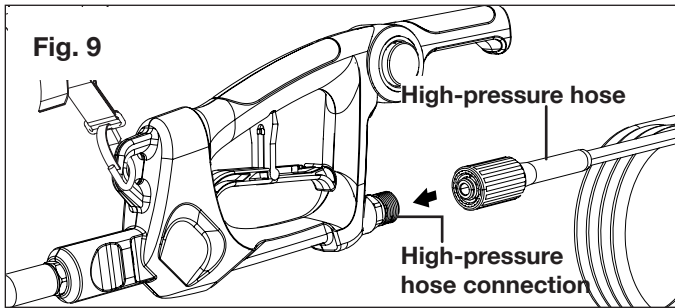


NOTE: The hose handle rest is used to protect the hose and the connection when the sky lance is not in use. When leaning the sky lance against a wall during breaks, stand the sky lance on the hose handle rest so the hose will not become bent (Fig. 8).



4. Connect a M22 15 mm pressure hose to the high-pressure hose connection, thread to secure (Fig. 9).

NOTE: To connect with a M22 14 mm pressure hose, first attach the included hose adapter to the high-pressure hose connection, then thread the pressure hose on the adapter, as shown (Fig. 10).



5. Connect the other end of the pressure hose to the water outlet of the pressure washer. Turn on the water supply and start the pressure washer.

Operation

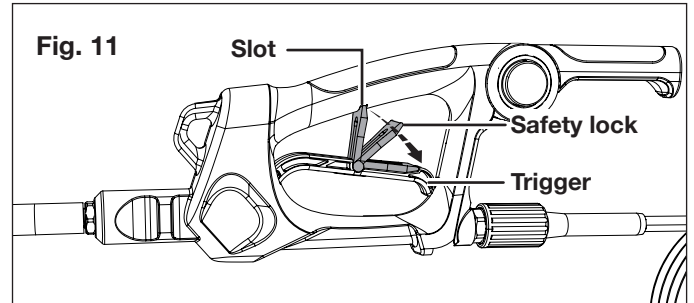
⚠ WARNING! To reduce the risk of electrocution, possible serious personal injury or property damage, spray the pressure stream in a safe direction away from all electrical devices and bystanders. Ensure proper connection of all accessories before starting any cleaning project. Ensure compatibility and proper fit before using this sky lance. Wear eye protection with side shields. Risk of fluid injections; do not point at people, pets, electrical devices or the unit itself. Turn off the pressure washer before changing or adjusting accessories. For cold water use only. For outdoor use only – store indoors. Save these instructions. Refer to them frequently and use them to instruct other users. If you loan someone this tool, loan them these instructions also.

⚠ WARNING! The sky lance will flex as pressure is added or lost. Fully understand how the pole moves when adding or lessening pressure before attempting a cleaning project. If you are not completely comfortable with the movement of the pole under changing pressure conditions, do not use this product. Loss of control of the sky lance could result in possible serious personal injury.

General Operation

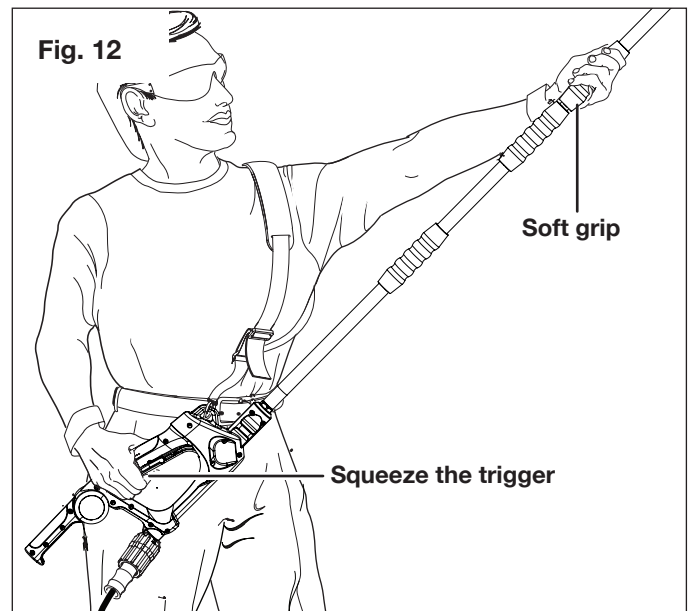
1. The trigger gun features a safety lock to prevent unintentional use. To lock, push up the safety lock until it clicks into place. To unlock, release the safety lock so it lies in its original position on the trigger (Fig. 11).

NOTE: Always engage the safety lock before moving or adjusting the sky lance.



2. Before working on the cleaning project, test the sky lance in an area away from the project. Get a feeling of how the lance will move when the trigger is squeezed. Before starting, make sure the safety lock is down and in its original position (Fig. 11), hold the sky lance on the trigger gun and one soft grip, squeeze the trigger to start (Fig. 12).

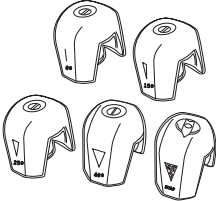
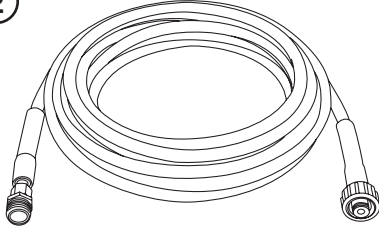

NOTE: The gun will kick back when the trigger is squeezed and released. Before starting/releasing the trigger, move the nozzle about 10 feet away from the cleaning surface and stand stably.



3. Move to the project area, raise the pole and aim toward the area to be cleaned. Squeeze the trigger to begin spraying.

Optional Accessories

⚠️ WARNING! ALWAYS use only authorized Snow Joe® + Sun Joe® replacement parts and accessories. NEVER use replacement parts or accessories that are not intended for use with this pressure washer sky lance. Contact Snow Joe® + Sun Joe® if you are unsure whether it is safe to use a particular replacement part or accessory with your pressure washer sky lance. The use of any other attachment or accessory can be dangerous and could cause injury or mechanical damage.

Accessories	Item	Model
<p>①</p> 	<p>Spray Tip Set (Fits all SPX3000 + SPX6000 + SPX9000 and most SPX4000 series pressure washers)</p>	<p>SPX3000-TPS</p>
<p>②</p> 	<p>25 ft Medium-Duty High Pressure Extension Hose (For SPX Pressure Washer Series)</p>	<p>SPX-25H</p>
<p>③</p> 	<p>Sun Joe® House + Deck All-Purpose Pressure Washer Rated Concentrated Cleaner</p> <p>Sun Joe® Premium Snow Foam Pressure Washer Rated Car Wash + Cleaner</p> <p>Sun Joe® All-Purpose Heavy Duty Pressure Washer Rated Cleaner + Degreaser</p>	<p>SPX-HDC1G</p> <p>SPX-FCS1G</p> <p>SPX-APC1G</p>

Sun Joe's complete line of premium pressure washer accessories and attachments make it easy to get your dirty work done, and also help you get the most out of your model!

SHOP ONLINE now at sunjoe.com

NOTE: Accessories are subject to change without any obligation on the part of Snow Joe® + Sun Joe® to provide notice of such changes. Accessories can be ordered online at sunjoe.com or via phone by contacting the Snow Joe® + Sun Joe® customer service center at 1-866-SNOWJOE (1-866-766-9563).



SNOW JOE® + SUN JOE® REFURBISHED GOODS WARRANTY

GENERAL CONDITIONS:

Snow Joe® + Sun Joe® operating under Snow Joe®, LLC warrants this refurbished product to the original purchaser for 90 days against defects in material or workmanship when used for normal residential purposes. If a replacement part or product is needed, it will be sent free of charge to the original purchaser except as noted below.

The duration of this warranty applies only if the product is put to personal use around the household. It is the owner's responsibility to correctly perform all maintenance and minor adjustments explained in the owner's manual.

HOW TO OBTAIN YOUR REPLACEMENT PART OR PRODUCT:

To obtain a replacement part or product, please visit snowjoe.com/help or email us at help@snowjoe.com for instructions. Please be sure to register your unit beforehand to speed up this process. Certain products may require a serial number, typically found on the decal affixed to the housing or guard of your product. All products require a valid proof of purchase.

EXCLUSIONS:

- Wearing parts like belts, augers, chains and tines are not covered under this warranty. Wearing parts can be purchased at snowjoe.com or by calling 1-866-SNOWJOE (1-866-766-9563).
- Batteries are covered in full for 90-days from the date of purchase.

Snow Joe® + Sun Joe® may from time to time change the design of its products. Nothing contained in this warranty shall be construed as obligating Snow Joe® + Sun Joe® to incorporate such design changes into previously manufactured products, nor shall such changes be construed as an admission that previous designs were defective.

This warranty is intended to cover product defects only. Snow Joe®, LLC is not liable for indirect, incidental or consequential damages in connection with the use or misuse of the Snow Joe® + Sun Joe® products covered by this warranty. This warranty does not cover any cost or expense incurred by the purchaser in providing substitute equipment or service during reasonable periods of malfunction or non-use of this product while waiting for a replacement part or unit under this warranty. Some states do not allow exclusions of incidental or consequential damages so the above exclusions may not apply in all states. This warranty may give you specific legal rights in your state.

HOW TO REACH US:

We're here to help Monday through Friday from 9AM to 7PM EST and Saturday and Sunday 9AM to 4PM. You can reach us at 1-866-SNOWJOE (1 866-766-9563), online at snowjoe.com, via email at help@snowjoe.com or tweet us @snowjoe.

EXPORTS:

Customers who have purchased Snow Joe® + Sun Joe® products exported from the United States and Canada should contact their Snow Joe® + Sun Joe® distributor (dealer) to obtain information applicable to your country, province or state. If for any reason, you are not satisfied with the distributor's service, or if you have difficulty obtaining warranty information, contact your Snow Joe® + Sun Joe® seller. If in the event your efforts are unsatisfactory, please reach out to us directly.



sunjoe.com